

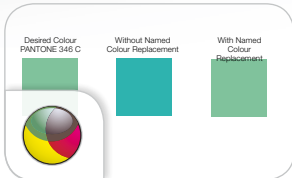
# Lexmark C746 Family Colour laser printers



## High-quality colour support for midsize workgroups

The Lexmark C746 Family colour laser printers deliver the easy-to-use features and reliable performance essential to midsize workgroups. Energy-saving features make responsible printing easy.

### Features to optimize your work



#### Easy brand matching

Consistently match branded colours and print marketing collateral in-house with Lexmark Named Color Replacement.



#### Flexible input capacity

With the optional 550-sheet drawers, a specialty media drawer and 2,000-sheet high-capacity feeder, customize input options to meet your printing needs.



#### Use less energy

The instant warm-up fuser reduces energy consumption and delivers a time to first page as fast as 9 seconds in both black and colour.



#### Walk-up USB printing

The front USB port allows for convenient walk-up printing of PDFs and many printable image file formats.



#### Multiple media support

Ultra-reliable paper feeding supports diverse media, including card stock, vinyl labels, banners and more.



#### Fast data transfer

Gigabit Ethernet networking lets the device accept print jobs across a network quickly.



#### Eco-friendly printing

Print responsibly with Eco-Settings that let you customize print settings and Hibernate Mode which reduces energy consumption to less than one watt.



#### Advanced security

Protect your device, data and network with innovative security controls, like authentication and authorization.

# Lexmark C746 Family Overview



## Robust high-quality colour

Rely on Lexmark C746 Family colour laser printers for the high-quality colour printing essential to business. Speed and reliability mean minimal waiting and few interruptions. You consistently and quickly receive vibrant documents.

- Match corporate colours on marketing collateral and brand-sensitive text and graphics with Lexmark Named Colour Replacement and PANTONE® calibration.
- The high-speed processor and Gigabit Ethernet networking mean fast data transfer and fast processing, even on complex colour documents.
- Print quickly at speeds up to 35 ppm and a time to first page as fast as 9 seconds in both black and colour.
- Lexmark cartridges let you print up to 12,000 pages per cartridge in black and 7,000 pages per cartridge in colour.<sup>1</sup>



## Productivity made easy

The combination of easy-to-use features and reliable performance means business processes are intuitive and you are productive. Increase efficiency with workflow-enhancing shortcuts designed to reduce unnecessary printing and simplify processes.

- The 2.4-inch (6-cm) LCD is easy to read and the colour graphics make navigation and troubleshooting intuitive.
- Expand input capacity with optional paper drawers that let you load multiple paper types and boost total input capacity up to 4,300 sheets.
- Create customized messages to provide helpful information, such as helpdesk telephone numbers.
- Easily manage supplies through programmable alerts that automatically send reorder notifications.



## Sustainable by design

Environmentally friendly printing and energy-saving features make it easy to print responsibly. Use fewer raw materials with features that reduce the number of pages printed and free cartridge return and recycling programmes.

- Use less electricity with Hibernate Mode, which reduces energy consumption to less than one watt and meets multiple energy management standards.
- Choose from multiple print settings that help reduce energy, paper and toner consumption using custom Eco-Settings.
- Cartridges are eligible for the Lexmark Cartridge Collection Program (LCCP), which offers a variety of free, easy return options designed for your business size and printing volume. For more information visit [www.lexmark.com/recycle](http://www.lexmark.com/recycle).<sup>2</sup>
- Reduce paper consumption by up to 50% and reduce your impact on the environment with two-sided printing.

# Lexmark C746 Family Ordering information

## Compatible on the complete Lexmark C746 Family

Part #	Laser Toner/Print Cartridge
C746H1KG	C746, C748 Black High Yield Return Program Toner Cartridge
C746A1CG	C746, C748 Cyan Return Program Toner Cartridge
C746A1MG	C746, C748 Magenta Return Program Toner Cartridge
C746A1YG	C746, C748 Yellow Return Program Toner Cartridge
C746H2KG	C746, C748 Black High Yield Toner Cartridge
C746A2CG	C746, C748 Cyan Toner Cartridge
C746A2MG	C746, C748 Magenta Toner Cartridge
C746A2YG	C746, C748 Yellow Toner Cartridge
C734X7FG	Waste Toner Box
C734X2DG	Photoconductor Unit
C734X24G	Photoconductor Unit, 4-Pack
Part #	Furniture
3052765	Swivel Cabinet
34T5114	C74x, X74x Caster Base
Part #	Memory Options
1025041	256MB DDR2-DRAM
1025042	512MB DDR2-DRAM
1025043	1024MB DDR2-DRAM
14F0245	256MB Flash Card

27X0014	160+ GB Hard Disk
30G0287	Arabic Font Card
30G0828	Japanese Font Card
30G0825	Korean Font Card
Part #	Application Solutions
57X9000	Lexmark Print/Cryption Card
41G0195	C746 Card for IPDS
41G0196	C746 Card for PRESCRIBE Emulation
41G0194	C746 Forms and Bar Code Card
Part #	Connectivity
27X0025	MarkNet N8250 802.11b/g/n Wireless Print Server
14F0037	MarkNet™ N8020 Gigabit Ethernet Print Server
1021294	USB (2 Meter) Cable
14F0000	Parallel 1284-B Interface Card
14F0100	RS-232C Serial Interface Card
Part #	User Replaceable Parts
40X8110	C74x, X74x Fuser Maintenance 110-120V
40X8111	C74x, X74x Fuser Maintenance 220-240V
40X9307	C74x, X74x Transfer Belt Maintenance Kit
40X5168	Pick Tire
40X5152	Pick Tire, Specialty Media Drawer

### Lexmark C746n

Part #	Model
41G0000	Lexmark C746n
Part #	Paper Handling
27S2100	550-Sheet Drawer
27S2400	2000-Sheet High Capacity Feeder
27S2650	550-Sheet Speciality Media Drawer
27S2190	4.8 inch (12.2 cm) Spacer
Part #	Extended Warranties
2354996	C746 1-Year Onsite Service, Next Business Day
2354997	C746 2-Years Onsite Service, Next Business Day
2354998	C746 3-Years Onsite Service, Next Business Day
2354999	C746 4-Years Onsite Service, Next Business Day
2355000	C746 1-Year Onsite Service Renewal, Next Business Day

Part #	Installation Service
2355003	C746 Install, De-Install Service

**In the box**  
Lexmark C746n colour laser printer, Up to 6,000\*-page colour (CMY) starter toner cartridges, Up to 6,000\*-page black starter toner cartridge, Photoconductor unit, Software and Documentation CD, Power cord(s), Setup guides (network and local attachment), Statement of limited warranty / guarantee, Lexmark Cartridge Collection Program information  
\*Average continuous black or continuous composite CMY declared cartridge yield in one-sided (simplex) mode up to this number of standard pages in accordance with ISO/IEC 19798.

### Lexmark C746dn

Part #	Model
41G0050	Lexmark C746dn
Part #	Paper Handling
27S2100	550-Sheet Drawer
27S2400	2000-Sheet High Capacity Feeder
27S2650	550-Sheet Speciality Media Drawer
27S2190	4.8 inch (12.2 cm) Spacer
Part #	Extended Warranties
2354996	C746 1-Year Onsite Service, Next Business Day
2354997	C746 2-Years Onsite Service, Next Business Day
2354998	C746 3-Years Onsite Service, Next Business Day
2354999	C746 4-Years Onsite Service, Next Business Day
2355000	C746 1-Year Onsite Service Renewal, Next Business Day

Part #	Installation Service
2355003	C746 Install, De-Install Service

**In the box**  
Lexmark C746dn colour laser printer, Up to 6,000\*-page colour (CMY) starter toner cartridges, Up to 6,000\*-page black starter toner cartridge, Photoconductor unit, Software and Documentation CD, Power cord(s), Setup guides (network and local attachment), Statement of limited warranty / guarantee, Lexmark Cartridge Collection Program information  
\*Average continuous black or continuous composite CMY declared cartridge yield in one-sided (simplex) mode up to this number of standard pages in accordance with ISO/IEC 19798.

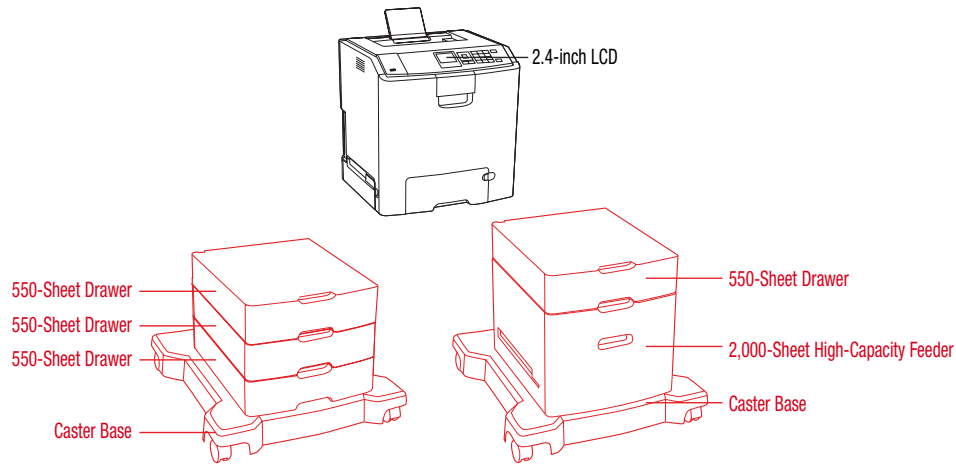
### Lexmark C746dtn

Part #	Model
41G0100	Lexmark C746dtn
Part #	Paper Handling
27S2100	550-Sheet Drawer
27S2400	2000-Sheet High Capacity Feeder
27S2650	550-Sheet Speciality Media Drawer
27S2190	4.8 inch (12.2 cm) Spacer
Part #	Extended Warranties
2354996	C746 1-Year Onsite Service, Next Business Day
2354997	C746 2-Years Onsite Service, Next Business Day
2354998	C746 3-Years Onsite Service, Next Business Day
2354999	C746 4-Years Onsite Service, Next Business Day
2355000	C746 1-Year Onsite Service Renewal, Next Business Day

Part #	Installation Service
2355003	C746 Install, De-Install Service

**In the box**  
Lexmark C746dtn colour laser printer, Includes 550-Sheet Drawer, Up to 6,000\*-page colour (CMY) starter toner cartridges, Up to 6,000\*-page black starter toner cartridge, Photoconductor unit, Software and Documentation CD, Power cord(s), Setup guides (network and local attachment), Statement of limited warranty / guarantee, Lexmark Cartridge Collection Program information  
\*Average continuous black or continuous composite CMY declared cartridge yield in one-sided (simplex) mode up to this number of standard pages in accordance with ISO/IEC 19798.

# Lexmark C746 Family Product specifications



Standard  
 Optional

## Product specifications

### Lexmark C746n

### Lexmark C746dn

### Lexmark C746dtn

Product specifications	Lexmark C746n	Lexmark C746dn	Lexmark C746dtn
<b>Printing</b>			
Display	2.4 inch (60 mm) colour LCD display		
Print Speed: Up to	Black: 35 ppm / Colour: 35 ppm		
Time to First Page: As fast as	Black: 9 seconds / Colour: 9 seconds		
Print Resolution, Colour	1200 x 1200 dpi, 4800 Colour Quality (2400 x 600 dpi)		
Processor	800 MHz		
Memory	Standard: 512 MB / Maximum: 1536 MB		
Hard Disk	Option available		
Recommended Monthly Page Volume <sup>4</sup>	1500 - 9200 pages		
Maximum Monthly Duty Cycle: Up to <sup>5</sup>	85000 pages per month		
<b>Supplies</b>			
Supplies Yield	12,000 <sup>1</sup> -page Black High Yield Toner Cartridge, 7,000 <sup>1</sup> -page Colour (CMY) Toner Cartridges		
Cartridge(s) Shipping with Product	6,000 <sup>1</sup> -page Black Starter Return Program Toner Cartridge, 6,000 <sup>1</sup> -page Colour (CMY) Starter Return Program Toner Cartridges		
<b>Paper Handling</b>			
Paper Handling Standard	300-Sheet Output Bin, 100-Sheet Multipurpose Feeder, 550-Sheet Input Tray	300-Sheet Output Bin, Integrated Duplex, 100-Sheet Multipurpose Feeder, 550-Sheet Input Tray	300-Sheet Output Bin, Integrated Duplex, 100-Sheet Multipurpose Feeder, 550-Sheet Drawer, 550-Sheet Input
Paper Handling Optional	550-Sheet Drawer, 2,000-Sheet High Capacity Feeder, 550-Sheet Specialty Media Drawer		
Paper Input Capacity: Up to	Standard: 650 pages 20 lb or 75 gsm bond / Maximum: 4300 pages 20 lb or 75 gsm bond	Standard: 650 pages 20 lb or 75 gsm bond / Maximum: 4300 pages 20 lb or 75 gsm bond	Standard: 1200 pages 20 lb or 75 gsm bond / Maximum: 4300 pages 20 lb or 75 gsm bond
Paper Output Capacity: Up to	Standard: 300 pages 20 lb or 75 gsm bond / Maximum: 300 pages 20 lb or 75 gsm bond		
Media Types Supported	Card Stock, Envelopes, Paper Labels, Plain Paper, Transparencies, Vinyl Labels, Refer to the Card Stock & Label Guide		
Media Sizes Supported	10 Envelope, 7 3/4 Envelope, 9 Envelope, A4, A5, B5 Envelope, C5 Envelope, DL Envelope, B5, Executive, Folio, JIS-B5, Legal, Letter, Statement, Universal, Oficio, A6		
<b>General</b>			
Standard Ports	USB 2.0 Specification Hi-Speed Certified (Type B), Front USB 2.0 Specification Hi-Speed Certified port (Type A), Ethernet 10/100/1000 BaseTX (RJ-45)		
Optional Network Ports	Internal MarkNet™ N8120 Gigabit Ethernet, Internal MarkNet™ N8250 802.11b/g/n Wireless		
Optional Local Ports	Internal RS-232C serial, Internal 1284-B Bidirectional Parallel		
Print Noise Level, Operating	54 dBA		
Product Warranty	1-Year Onsite Service, Next Business Day		
Energy Star	No	Yes	Yes
Specified Operating Environment	Temperature: 16 to 32°C (60 to 90°F), Humidity: 8 to 80% Relative Humidity, Altitude: 0 - 3048 Meters (10,000 Feet)		
Size (in. - H x W x D) / Weight (lb.)	17.9 x 17.1 x 15.7 in. / 55.6 lb.	17.9 x 17.1 x 15.7 in. / 55.6 lb.	22.9 x 17.1 x 21.5 in. / 65.5 lb.

<sup>1</sup> Average continuous black or composite CMY declared cartridge yield in accordance with ISO/IEC 19798. <sup>2</sup> Not available in all countries. <sup>3</sup> Not available on the Lexmark C746n. <sup>4</sup> "Recommended Monthly Page Volume" is a range of pages that helps customers evaluate Lexmark's product offerings based on the average number of pages customers plan to print on the device each month. Lexmark recommends that the number of pages per month be within the stated range for optimum device performance, based on factors including: supplies replacement intervals, paper loading intervals, speed, and typical customer usage. <sup>5</sup> "Maximum Monthly Duty Cycle" is defined as the maximum number of pages a device could deliver in a month using a multishift operation. This metric provides a comparison of robustness in relation to other Lexmark printers and MFPs.



**LEXMARK**  
TM