

Lexmark C540 Series

Lexmark C540n Lexmark C543dn Lexmark C544 models Lexmark C546dtn



PRINT



DUPLEX



UP TO 25 PPM COLOR



NETWORK



UP TO 25 PPM BLACK



Small and smart design,
big-business color!



LEXMARK

Print Less. Save More.

Print less? This may seem like a surprising message for a company dedicated solely to printing. But when you consider that businesses spend on average up to 6% of their revenue on printing and that active print management can cut office print costs by up to 30%¹, it makes a lot of sense. Lexmark products, solutions and services provide innovative ways to save you time, drive down costs and reduce your impact on the environment. We are committed to helping you print less and save more.

¹ Source: InfoTrends/CapVentures, Network Document Solutions Forecast 2007-2012, Network Document Solutions Consulting Service, August 2008

Ultra-compact and very quiet, the Lexmark C540 Series offers you true 1200 x 1200 dpi color printing to energize your business documents, plus rapid print speed as fast as 25 ppm in both black and color. What's more, you receive Lexmark's Lifetime Pricing Guarantee. Lexmark guarantees for as long as you own your C540 Series printer not to increase the price* of the toner cartridges. Save even more when you enroll in Lexmark Rewards! *See page 3 to learn more.



Convenience by your side

Make a big impact on your business with a color printer that is genuinely desktop-friendly. With their small, attractive new design and quiet operation, Lexmark C540 Series color lasers will be welcome additions to your desktop or small workgroup.

- Exceptionally tiny footprint and low profile
- As quiet as 47 dBA while printing; reduce sound even more with Quiet Mode
- Sleek, innovative desktop-friendly design
- Built-in networking on all models so you can easily share the benefits of color



Reap the benefits of productivity

The Lexmark C540 Series gives you a rapid first-page-out and races through your print runs at blazing speeds. What's more, these printers offer you the versatility you need to keep up with your demanding office printing needs.

- First page out as fast as 11 seconds with instant warm-up fuser
- PCL 6 and PostScript 3 emulations ensure compatibility with your application software
- Duplex printing models, now available at an attractive price
- 100-sheet multipurpose feeder and 550-sheet main tray are combined in one unique Duo Drawer option



Shake-free cartridges

Toner cartridges never require shaking to deliver their full declared yield



Intuitive management

Manage configuration settings via control panel, Web interface or Lexmark network-management tools (MarkVision Professional)



PC-free printing

Print image files directly from a USB Flash drive or PictBridge-enabled camera (C544 models and C546dtn)



Simple sharing

Very easy to set up and share with built-in network printing (wireless model: C544dw)



Brighten up your business and your image

Add professional color to your documents. Lexmark gives you the tools to control color output and puts its color expertise to work for you so all your brochures, reports and graphics come out vivid and accurate to the finest details.

- Vibrant print quality: true 1200 x 1200 dpi resolution
- New generation Lexmark toner for color quality and consistency
- Consistent color tones with professional PANTONE® calibration
- Color-control tools: coverage estimator and ColorSaver™ mode
- Lexmark High Yield and Extra High Yield Toner Cartridges cut printing costs to a minimum

Eco-responsible printing

Printing responsibly means everyone wins – your business, your budget and the environment. Lexmark's C540 Series is eco-designed and comes with a vast range of features to help you print greener at every level.

- Paper-saving built-in duplex printing models available
- Eco-Mode reduces power consumption
- Lets you print multiple pages per sheet
- Instant warm-up fuser saves energy
- Free recycling of your empty toner cartridges through Lexmark Rewards or the Lexmark Cartridge Collection Program



Simplicity in a snapshot!



Green looks good on you

When you purchase a Lexmark C540 Series color laser printer, you can save up to 20 percent of the total cost of supplies while you help save the planet. Lexmark Rewards gives you free high-yield toner cartridges and imaging kits simply for using genuine Lexmark toner and returning your empty cartridges to Lexmark for recycling.

Advantages of Membership



FREE High Yield Toner Cartridge

As a Lexmark Rewards member, you will receive a free high-yield cartridge of your choice for every 10 empty toner cartridges you return to Lexmark for recycling.



2 FREE CREDITS per printer

As an incentive, we are offering you two free credits for each printer enrolled in Lexmark Rewards. Each new enrollment brings you closer to receiving your first free toner cartridge.



FREE Imaging Kit

For as long as you own your Lexmark color laser printer and use and return the genuine Lexmark toner cartridges, we'll send you a free imaging kit whenever your printer needs one.



FIXED PRICE for life

Lexmark C540 Series owners are protected by the Lexmark Lifetime Pricing Guarantee. For as long as you own your C540 Series printer, Lexmark guarantees not to increase the lexmark.com* price for toner cartridges.

*U.S. dollar price only. This guarantee does not apply to dealer and/or distributor pricing. See lexmark.com for complete details.

Get exactly the performance you need



Lexmark C540n

A great color value for your small office

- Up to 21 ppm printing in black and color
- Rapid first-page-out
- High-speed USB 2.0 and Fast Ethernet
- PCL 6 and PostScript 3 emulations
- True 1200 x 1200 dpi color print quality
- Recommended monthly volume: 500 to 1,500 pages



Lexmark C543dn

All the features of the Lexmark C540n plus:

- Built-in duplex for two-sided printing
- Ships with Lexmark High Yield Return Program Toner Cartridges (up to 2,500*-page black and 2,000*-page color)
- Network-ready with easy setup
- Recommended Monthly Page Volume: 500 - 1,500 pages



Lexmark C544 models

Outstanding color performance and value for your workgroup

- Fast printing up to 25 ppm in black and color
- Lexmark Extra High Yield Toner Cartridges available (6,000*-page black, 4,000*-page color)
- Direct USB port for walk-up printing
- Recommended monthly volume: 800 to 3,000 pages

Configurations available: Lexmark C544n, Lexmark C544dn, Lexmark C544dw



Lexmark C546dtn

Fully loaded color performance for your workgroup

- Fast printing up to 25 ppm in black and color
- Ships with 4,000*-page black and color toner cartridges and a Duo Drawer
- 1,450-sheet maximum input capacity (with optional 550-sheet drawer)
- Lexmark Extra High Yield Toner Cartridges available (8,000*-page black, 4,000*-page color)
- Recommended monthly volume: 1,000 to 4,000 pages

	Lexmark C540n	Lexmark C543dn	Lexmark C544n	Lexmark C546dtn
Printing				
Print Technology	Color Laser			
Print Speed (Letter, Black): Up to	21 ppm	21 ppm	25 ppm	25 ppm
Print Speed (Letter, Color): Up to	21 ppm	21 ppm	25 ppm	25 ppm
Time to First Page (Black)	As fast as 12 seconds	As fast as 12 seconds	As fast as 11 seconds	As fast as 11 seconds
Time to First Page (Color)	As fast as 13 seconds	As fast as 13 seconds	As fast as 12 seconds	As fast as 12 seconds
Print Resolution, Black	1200 x 1200 dpi, 4800 Color Quality (1200 x 600 dpi)			
Print Resolution, Color	1200 x 1200 dpi, 4800 Color Quality (1200 x 600 dpi)			
Memory, Standard	128 MB	128 MB	128 MB	256 MB
Memory, Maximum	640 MB	640 MB	640 MB	640MB (Replacement required)
Print Noise Level, Operating	47 dBA	47 dBA	49 dBA	49 dBA
Noise Level, Idle	inaudible dBA			
Maximum Monthly Duty Cycle: Up to	35,000 pages per month	35,000 pages per month	55,000 pages per month	55,000 pages per month
Recommended Monthly Page Volume	500 - 1,500 pages	500 - 1,500 pages	800 - 3,000 pages	1,000 - 4,000 pages
Supplies				
Supplies Yield (*Average continuous black or continuous composite CMY declared cartridge yield up to this number of standard pages in accordance with ISO/IEC 19798.)	1,000*-page color Toner Cartridges (CMY), 2,000*-page color High Yield Toner Cartridges (CMY), 2,500*-page Black High Yield Toner Cartridge, 1,000*-page Black Toner Cartridge	1,000*-page color Toner Cartridges (CMY), 2,000*-page color High Yield Toner Cartridges (CMY), 2,500*-page Black High Yield Toner Cartridge, 1,000*-page Black Toner Cartridge	1,000*-page color Toner Cartridges (CMY), 2,000*-page color High Yield Toner Cartridges (CMY), 4,000*-page color Extra High Yield Toner Cartridges (CMY), 2,500*-page Black High Yield Toner Cartridge, 6,000*-page Black Extra High Yield Toner Cartridge, 1,000*-page Black Toner Cartridge	1,000*-page color Toner Cartridges (CMY), 2,000*-page color High Yield Toner Cartridges (CMY), 4,000*-page color Extra High Yield Toner Cartridges (CMY), 2,500*-page Black High Yield Toner Cartridge, 1,000*-page Black Toner Cartridge, 8,000*-page Black Extra High Yield Toner Cartridge
Cartridge(s) Shipping with Product	1,000*-page Black Return Program Toner Cartridge, 1,000*-page color (CMY) Return Program Toner Cartridges	2,500*-page Black Return Program Toner Cartridge, 2,000*-page color (CMY) Return Program Toner Cartridges	2,500*-page Black Return Program Toner Cartridge, 2,000*-page color (CMY) Return Program Toner Cartridges	4,000*-page Black starter Return Program Toner Cartridge, 4,000*-page Color (CMY) Extra High Yield Return Program Toner Cartridges
Paper Handling				
Paper Handling Standard	100-Sheet Output Bin, Single Sheet Manual Feed, 250-Sheet Input Tray	100-Sheet Output Bin, Integrated Duplex, Single Sheet Manual Feed, 250-Sheet Input Tray	100-Sheet Output Bin, Single Sheet Manual Feed, 250-Sheet Input Tray	100-Sheet Output Bin, Integrated Duplex, Single Sheet Manual Feed, 250-Sheet Input Tray, 550-Sheet Duo Drawer with 100-Sheet Feeder
Paper Handling Optional	550-Sheet Duo Drawer with 100-Sheet Multipurpose Feeder	550-Sheet Duo Drawer with 100-Sheet Multipurpose Feeder	550-Sheet Duo Drawer with 100-Sheet Multipurpose Feeder	550-Sheet Drawer
Paper Input Capacity, Standard: Up to	250+1 pages 20 lb or 75 gsm bond	250+1 pages 20 lb or 75 gsm bond	250+1 pages 20 lb or 75 gsm bond	900+1 pages 20 lb or 75 gsm bond
Paper Input Capacity, Maximum: Up to	900 +1 pages 20 lb or 75 gsm bond	900 +1 pages 20 lb or 75 gsm bond	900 +1 pages 20 lb or 75 gsm bond	1,450+1 pages 20 lb or 75 gsm bond
Paper Output Capacity, Standard: Up to	100 pages 20 lb or 75 gsm bond			
Paper Output Capacity, Maximum: Up to	100 pages 20 lb or 75 gsm bond			
Media Types Supported	Card Stock, Paper Labels, Plain Paper, Transparencies, Refer to the Card Stock & Label Guide	Card Stock, Paper Labels, Plain Paper, Transparencies, Refer to the Card Stock & Label Guide	Card Stock, Paper Labels, Plain Paper, Transparencies, Refer to the Card Stock & Label Guide	Card Stock, Envelopes, Paper Labels, Plain Paper, Transparencies, Refer to the Card Stock & Label Guide
Media Sizes Supported	A4, A5, Executive, Folio, JIS-B5, Legal, Letter, Universal, Oficio, A6	A4, A5, Executive, Folio, JIS-B5, Legal, Letter, Universal, Oficio, A6	A4, A5, Executive, Folio, JIS-B5, Legal, Letter, Universal, Oficio, A6	10 Envelope, 7 3/4 Envelope, 9 Envelope, A4, A5, B5 Envelope, C5 Envelope, DL Envelope, Executive, Folio, JIS-B5, Legal, Letter, Statement, Universal, Oficio, A6
Compatibility				
Network Protocol Support	TCP/IP IPv4, TCP/IP IPv6, TCP, UDP	TCP/IP IPv4, TCP/IP IPv6, TCP, UDP	TCP/IP IPv4, AppleTalk™, TCP/IP IPv6, TCP, UDP	TCP/IP IPv4, AppleTalk™, TCP/IP IPv6, TCP, UDP
Printer Languages (Standard)	PCL 5c Emulation, PCL 6 Emulation, PostScript 3 Emulation	PCL 5c Emulation, PCL 6 Emulation, PostScript 3 Emulation	PCL 5c Emulation, PCL 6 Emulation, Personal Printer Data Stream (PPDS), PostScript 3 Emulation, PDF 1.6, Direct Image	PCL 5c Emulation, PCL 6 Emulation, Personal Printer Data Stream (PPDS), PostScript 3 Emulation, PDF 1.6, Direct Image
Standard Ports	Ethernet 10/100BaseTX (RJ-45), USB 2.0 Specification Hi-Speed Certified (Type B)	Ethernet 10/100BaseTX (RJ-45), USB 2.0 Specification Hi-Speed Certified (Type B)	Ethernet 10/100BaseTX (RJ-45), USB 2.0 Specification Hi-Speed Certified (Type B), PictBridge Certified Port, Front USB Port Compatible with USB 2.0 Specification (Type A)	Ethernet 10/100BaseTX (RJ-45), USB 2.0 Specification Hi-Speed Certified (Type B), PictBridge Certified Port, Front USB Port Compatible with USB 2.0 Specification (Type A)
Microsoft Windows Operating Systems Supported	2000, XP, Server 2003, XP x64, Server 2003 running Terminal Services, 2000 Server running Terminal Services, Server 2003 x64, Server 2003 x64 running Terminal Services, Vista, Vista x64, Server 2008, Server 2008 x64, Server 2008 running Terminal Services, Server 2008 x64 running Terminal Services, Windows 7			
Apple Macintosh Operating Systems Supported	Mac OS X, Mac OS 9.2			
General				
Product Warranty	1-Year Exchange Service, Next Business Day	1-Year Exchange Service, Next Business Day	1-Year Exchange Service, Next Business Day	1-Year Onsite Service, Next Business Day
Product Certifications	www.lexmark.com			
Size (in. - H x W x D)	11.5 x 16.7 x 15.7 in.	11.5 x 16.7 x 15.7 in.	11.5 x 16.7 x 15.7 in.	16.6 x 16.7 x 16.4 in.
Weight (lb.)	46.2 lb.	46.2 lb.	46.2 lb.	54.9 lb.
Specified Operating Environment	Temperature: 16 to 32°C (60 to 90°F), Humidity: 8 to 80% Relative Humidity, Altitude: 0 - 3048 Meters (10,000 Feet)			

Recommended Monthly Page Volume

*Recommended Monthly Page Volume is a range of pages that helps customers evaluate Lexmark's product offerings based on the average number of pages customers plan to print on the device each month. Lexmark recommends that the number of pages per month be within the stated range for optimum device performance, based on factors including: supplies replacement intervals, paper loading intervals, speed, and typical customer usage.

Maximum Monthly Duty Cycle

*Maximum Monthly Duty Cycle is defined as the maximum number of pages a device could deliver in a month using a multishift operation. This metric provides a comparison of robustness in relation to other Lexmark printers and MFPs.

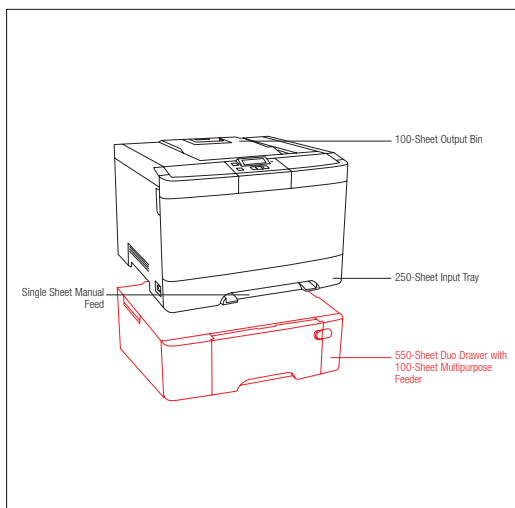
Trademarks

Lexmark and Lexmark with the diamond design are trademarks of Lexmark International, Inc., registered in the United States and/or other countries. All other trademarks are the property of their respective owners. PCL is a registered trademark of Hewlett-Packard Company. AppleTalk, Mac and Macintosh are trademarks of Apple Computer, Inc., registered in the United States and other countries. MarkNet and MarkVision are trademarks of Lexmark International, Inc., registered in the United States and/or other countries. The USB-IF logos are trademarks of Universal Serial Bus Implementers Forum, Inc. ENERGY STAR® is a U.S. registered mark. Microsoft, Windows, the Windows logo, Windows Vista, and the Windows Vista logo are trademarks or registered trademarks of Microsoft Corporation in the United States and/or other countries. Citrix, MetaFrame and MetaFrame XP are registered trademarks or trademarks of Citrix Systems, Inc. in the U.S. and other countries. Information in this document is subject to change without notice.

License/Agreement Terms

Printers are sold subject to certain license/agreement conditions. See www.lexmark.com/printerlicense for details.

Lexmark C540n



Part #	Model
26A0000	Lexmark C540n
Part #	Laser Toner/Print Cartridge
C540H1KG	C54x, X54x Black High Yield Return Program Toner Cartridge
C540H1CG	C54x, X54x Cyan High Yield Return Program Toner Cartridge
C540H1MG	C54x, X54x Magenta High Yield Return Program Toner Cartridge
C540H1YG	C54x, X54x Yellow High Yield Return Program Toner Cartridge
C540A1KG	C54x, X54x Black Return Program Toner Cartridge
C540A1CG	C54x, X54x Cyan Return Program Toner Cartridge
C540A1MG	C54x, X54x Magenta Return Program Toner Cartridge
C540A1YG	C54x, X54x Yellow Return Program Toner Cartridge
C540H2KG	C54x, X54x Black High Yield Toner Cartridge
C540H2CG	C54x, X54x Cyan High Yield Toner Cartridge
C540H2MG	C54x, X54x Magenta High Yield Toner Cartridge
C540H2YG	C54x, X54x Yellow High Yield Toner Cartridge
C540X75G	C54x, X54x Waste Toner Bottle
C540X71G	C54x, X54x Black Imaging Kit
C540X74G	C54x, X54x Black and Color Imaging Kit
Part #	Paper & Transparencies
12A8240	Professional Color Laser Transparencies, Letter
Part #	Paper Handling
3000551	550-Sheet Duo Drawer with 100-Sheet Multipurpose Feeder
Part #	Memory Options
1022298	128MB DDR1-DRAM
1022299	256MB DDR1-DRAM
1022301	512MB DDR1-DRAM
Part #	Connectivity
1021294	USB Cable (2-meter)
14T0145	Lexmark N4050e 802.11g Wireless Print Server
14T0220	MarkNet™ N7020e Gigabit Ethernet Print Server
Part #	Extended Warranties
2350398	2-Years Total Exchange Service, Next Business Day
2350399	3-Years Total Exchange Service, Next Business Day
2350402	1-Year Exchange Service Renewal, Next Business Day
2350406	Upgrade to Onsite Service, Next Business Day
2350407	2-Years Total Onsite Service, Next Business Day
2350408	3-Years Total Onsite Service, Next Business Day
2350411	1-Year Onsite Service Renewal, Next Business Day
Part #	User Replaceable Parts
3049484	C540, C543, C544 Relocation Kit

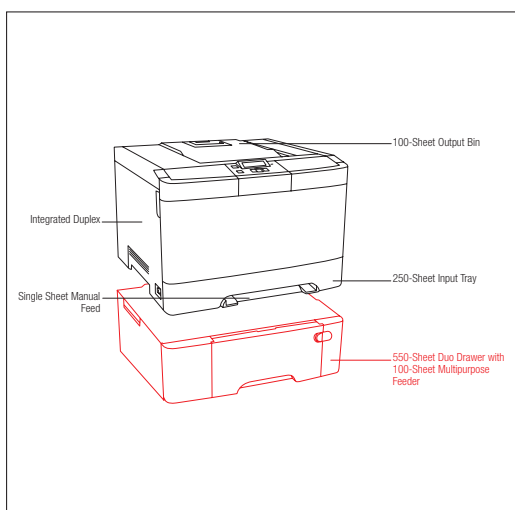
40X2254	C54x, X54x Fuser Maintenance kit, 110-120V
40X5403	C54x, X54x Image Transfer Unit
C540X31G	C540, C543, C544, X543, X544 Black Developer Unit
C540X32G	C540, C543, C544, X543, X544 Cyan Developer Unit
C540X33G	C540, C543, C544, X543, X544 Magenta Developer Unit
C540X34G	C540, C543, C544, X543, X544 Yellow Developer Unit

Part #	Service Parts
40X5406	C54x, X543, X54x Fuser 110-120V

In the box

Lexmark C540n Color Laser Printer, up to 1,000*-page color (CMY) Return Program Toner Cartridges, up to 1,000*-page black Return Program Toner Cartridge, software and documentation CD, power cord(s), setup guides (network and local attachment), Statement of Limited Warranty, Lexmark Rewards brochure, Lexmark Cartridge Collection Program information

Lexmark C543dn



Part #	Model
26B0000	Lexmark C543dn
Part #	Laser Toner/Print Cartridge
C540H1KG	C54x, X54x Black High Yield Return Program Toner Cartridge
C540H1CG	C54x, X54x Cyan High Yield Return Program Toner Cartridge
C540H1MG	C54x, X54x Magenta High Yield Return Program Toner Cartridge
C540H1YG	C54x, X54x Yellow High Yield Return Program Toner Cartridge
C540A1KG	C54x, X54x Black Return Program Toner Cartridge
C540A1CG	C54x, X54x Cyan Return Program Toner Cartridge
C540A1MG	C54x, X54x Magenta Return Program Toner Cartridge
C540A1YG	C54x, X54x Yellow Return Program Toner Cartridge
C540H2KG	C54x, X54x Black High Yield Toner Cartridge
C540H2CG	C54x, X54x Cyan High Yield Toner Cartridge
C540H2MG	C54x, X54x Magenta High Yield Toner Cartridge
C540H2YG	C54x, X54x Yellow High Yield Toner Cartridge
C540X75G	C54x, X54x Waste Toner Bottle
C540X71G	C54x, X54x Black Imaging Kit
C540X74G	C54x, X54x Black and Color Imaging Kit
Part #	Paper & Transparencies
12A8240	Professional Color Laser Transparencies, Letter
Part #	Paper Handling
3000551	550-Sheet Duo Drawer with 100-Sheet Multipurpose Feeder
Part #	Memory Options
1022298	128MB DDR1-DRAM
1022299	256MB DDR1-DRAM
1022301	512MB DDR1-DRAM
Part #	Connectivity
1021294	USB Cable (2-meter)
14T0145	Lexmark N4050e 802.11g Wireless Print Server
14T0220	MarkNet™ N7020e Gigabit Ethernet Print Server
Part #	Extended Warranties
2350433	2-Years Total Exchange Service, Next Business Day
2350434	3-Years Total Exchange Service, Next Business Day
2350437	1-Year Exchange Service Renewal, Next Business Day
2350441	Upgrade to Onsite Service, Next Business Day
2350442	2-Years Total Onsite Service, Next Business Day
2350443	3-Years Total Onsite Service, Next Business Day
2350446	1-Year Onsite Service Renewal, Next Business Day
Part #	User Replaceable Parts
3049484	C540, C543, C544 Relocation Kit

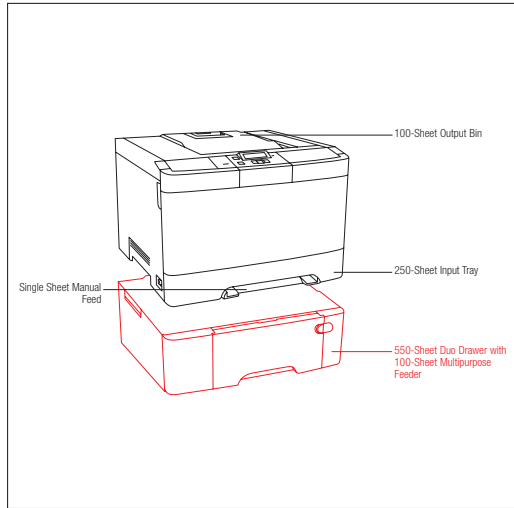
40X2254	C54x, X54x Fuser Maintenance kit, 110-120V
40X5403	C54x, X54x Image Transfer Unit
C540X31G	C540, C543, C544, X543, X544 Black Developer Unit
C540X32G	C540, C543, C544, X543, X544 Cyan Developer Unit
C540X33G	C540, C543, C544, X543, X544 Magenta Developer Unit
C540X34G	C540, C543, C544, X543, X544 Yellow Developer Unit

Part #	Service Parts
40X5406	C54x, X543, X54x Fuser 110-120V

In the box

Lexmark C543dn Color Laser Printer, up to 2,000*-page color (CMY) Return Program Toner Cartridges, up to 2,500*-page black Return Program Toner Cartridge, software and documentation CD, power cord(s), setup guides (network and local attachment), Statement of Limited Warranty, Lexmark Rewards brochure, Lexmark Cartridge Collection Program information

Lexmark C544n



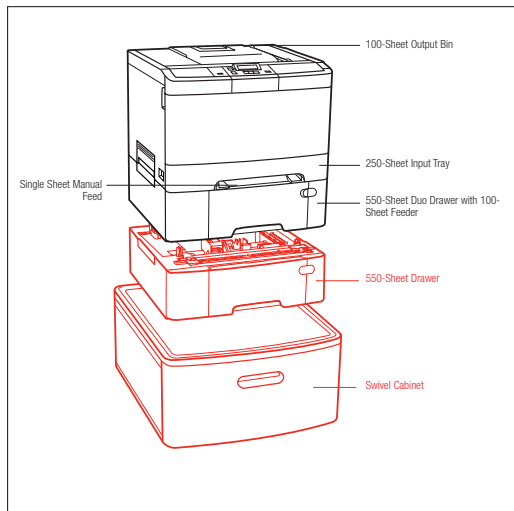
Part #	Model
26C0050	Lexmark C544n
Part #	Laser Toner/Print Cartridge
C544X1KG	C544, X544 Black Extra High Yield Return Program Toner Cartridge
C544X1CG	C544, X544 Cyan Extra High Yield Return Program Toner Cartridge
C544X1MG	C544, X544 Magenta Extra High Yield Return Program Toner Cartridge
C544X1YG	C544, X544 Yellow Extra High Yield Return Program Toner Cartridge
C540H1KG	C54x, X54x Black High Yield Return Program Toner Cartridge
C540H1CG	C54x, X54x Cyan High Yield Return Program Toner Cartridge
C540H1MG	C54x, X54x Magenta High Yield Return Program Toner Cartridge
C540H1YG	C54x, X54x Yellow High Yield Return Program Toner Cartridge
C540A1KG	C54x, X54x Black Return Program Toner Cartridge
C540A1CG	C54x, X54x Cyan Return Program Toner Cartridge
C540A1MG	C54x, X54x Magenta Return Program Toner Cartridge
C540A1YG	C54x, X54x Yellow Return Program Toner Cartridge
C544X2KG	C544, X544 Black Extra High Yield Toner Cartridge
C544X2CG	C544, X544 Cyan Extra High Yield Toner Cartridge
C544X2MG	C544, X544 Magenta Extra High Yield Toner Cartridge
C544X2YG	C544, X544 Yellow Extra High Yield Toner Cartridge
C540H2KG	C54x, X54x Black High Yield Toner Cartridge
C540H2CG	C54x, X54x Cyan High Yield Toner Cartridge
C540H2MG	C54x, X54x Magenta High Yield Toner Cartridge
C540H2YG	C54x, X54x Yellow High Yield Toner Cartridge
C540X75G	C54x, X54x Waste Toner Bottle
C540X71G	C54x, X54x Black Imaging Kit
C540X74G	C54x, X54x Black and Color Imaging Kit
Part #	Paper & Transparencies
12A8240	Professional Color Laser Transparencies, Letter
Part #	Paper Handling
3000551	550-Sheet Duo Drawer with 100-Sheet Multipurpose Feeder
Part #	Memory Options
1022298	128MB DDR1-DRAM
1022299	256MB DDR1-DRAM
1022301	512MB DDR1-DRAM
1021209	64MB Flash Card
30G0828	Japanese Font Card
30G0825	Korean Font Card

30G0826	Simplified Chinese Font Card
30G0827	Traditional Chinese Font Card
Part #	Connectivity
1021294	USB Cable (2-meter)
14T0145	Lexmark N4050e 802.11g Wireless Print Server
14T0220	MarkNet™ N7020e Gigabit Ethernet Print Server
Part #	Extended Warranties
2350468	2-Years Total Exchange Service, Next Business Day
2350469	3-Years Total Exchange Service, Next Business Day
2350472	1-Year Exchange Service Renewal, Next Business Day
2350476	Upgrade to Onsite Service, Next Business Day
2350477	2-Years Total Onsite Service, Next Business Day
2350478	3-Years Total Onsite Service, Next Business Day
2350481	1-Year Onsite Service Renewal, Next Business Day
Part #	User Replaceable Parts
3049484	C540, C543, C544 Relocation Kit
40X2254	C54x, X54x Fuser Maintenance kit, 110-120V
40X5403	C54x, X54x Image Transfer Unit
C540X31G	C540, C543, C544, X543, X544 Black Developer Unit
C540X32G	C540, C543, C544, X543, X544 Cyan Developer Unit
C540X33G	C540, C543, C544, X543, X544 Magenta Developer Unit
C540X34G	C540, C543, C544, X543, X544 Yellow Developer Unit
Part #	Service Parts
40X5406	C54x, X543, X54x Fuser 110-120V

Other models available
 - Lexmark C544dn: Network-ready plus duplex, Part #26C0000
 - Lexmark C544dw: Built-in wireless plus duplex, Part #26C0150

In the box
 Lexmark C544n Color Laser Printer, up to 2,000*-page color (CMY) Return Program Toner Cartridges, up to 2,500*-page black Return Program Toner Cartridge, software and documentation CD, power cord(s), setup guides (network and local attachment), Statement of Limited Warranty, Lexmark Rewards brochure, Lexmark Cartridge Collection Program information

Lexmark C546dtn



Part #	Model
26C0104	Lexmark C546dtn
Part #	Laser Toner/Print Cartridge
C546U1KG	C546, X546 Black Extra High Yield Return Program Toner Cartridge
C544X1CG	C544, X544 Cyan Extra High Yield Return Program Toner Cartridge
C544X1MG	C544, X544 Magenta Extra High Yield Return Program Toner Cartridge
C544X1YG	C544, X544 Yellow Extra High Yield Return Program Toner Cartridge
C540H1KG	C54x, X54x Black High Yield Return Program Toner Cartridge
C540H1CG	C54x, X54x Cyan High Yield Return Program Toner Cartridge
C540H1MG	C54x, X54x Magenta High Yield Return Program Toner Cartridge
C540H1YG	C54x, X54x Yellow High Yield Return Program Toner Cartridge
C540A1KG	C54x, X54x Black Return Program Toner Cartridge
C540A1CG	C54x, X54x Cyan Return Program Toner Cartridge
C540A1MG	C54x, X54x Magenta Return Program Toner Cartridge
C540A1YG	C54x, X54x Yellow Return Program Toner Cartridge
C546U2KG	C546, X546 Black Extra High Yield Toner Cartridge
C544X2CG	C544, X544 Cyan Extra High Yield Toner Cartridge
C544X2MG	C544, X544 Magenta Extra High Yield Toner Cartridge
C544X2YG	C544, X544 Yellow Extra High Yield Toner Cartridge
C540H2KG	C54x, X54x Black High Yield Toner Cartridge
C540H2CG	C54x, X54x Cyan High Yield Toner Cartridge
C540H2MG	C54x, X54x Magenta High Yield Toner Cartridge
C540H2YG	C54x, X54x Yellow High Yield Toner Cartridge
C540X75G	C54x, X54x Waste Toner Bottle
C540X71G	C54x, X54x Black Imaging Kit
C540X74G	C54x, X54x Black and Color Imaging Kit
Part #	Paper & Transparencies
12A8240	Professional Color Laser Transparencies, Letter
Part #	Paper Handling
3051710	C546, X546 550-Sheet Drawer
Part #	Furniture
3052765	Swivel Cabinet
Part #	Memory Options
1022299	256MB DDR1-DRAM
1022301	512MB DDR1-DRAM
1021209	64MB Flash Card

30G0828	Japanese Font Card
30G0825	Korean Font Card
30G0826	Simplified Chinese Font Card
30G0827	Traditional Chinese Font Card
Part #	Connectivity
1021294	USB Cable (2-meter)
14T0145	Lexmark N4050e 802.11g Wireless Print Server
14T0220	MarkNet™ N7020e Gigabit Ethernet Print Server
Part #	Extended Warranties
2352700	C546 2-Years Total (1+1) Onsite Service, Next Business Day
2352701	C546 3-Years Total (1+2) Onsite Service, Next Business Day
2352704	C546 1-Year Onsite Service Renewal, Next Business Day
2352872	C546 1-Year Exchange Service, Next Business Day
2352873	C546 2-Year Exchange Service, Next Business Day
2352876	C546 1-Year Exchange Service Renewal, Next Business Day
Part #	User Replaceable Parts
3049484	C540, C543, C544 Relocation Kit
40X2254	C54x, X54x Fuser Maintenance kit, 110-120V
40X5403	C54x, X54x Image Transfer Unit
C540X31G	C540, C543, C544, X543, X544 Black Developer Unit
C540X32G	C540, C543, C544, X543, X544 Cyan Developer Unit
C540X33G	C540, C543, C544, X543, X544 Magenta Developer Unit
C540X34G	C540, C543, C544, X543, X544 Yellow Developer Unit
Part #	Service Parts
40X5406	C54x, X543, X54x Fuser 110-120V
Part #	Installation Service
2352725	C546 Install, De-Install Service

Lexmark's guarantee to you
 Lexmark's 1-Year Onsite warranty provides added peace of mind. Enhanced service offerings may be available by contacting your Lexmark representative or visiting www.lexmark.com. Optimize your printer's performance and investment value by using genuine Lexmark supplies, service and parts.

In the box
 Lexmark C546dtn Color Laser Printer, Includes a 550-Sheet Duo Drawer with 100-Sheet Multipurpose Feeder, up to 4,000*-page color (CMY) Return Program Toner Cartridges, up to 4,000*-page black Return Program Toner Cartridge, 4 Developer units (CMYK), Photoconductor unit, Software and Documentation CD, Power cord(s), Setup guide or sheet (network and local attachment), Statement of limited warranty / guarantee, Operator panel language overlays, Lexmark Cartridge Collection Program information



Environmental commitment
 Lexmark believes that the environment is a critical component of responsible business management and clearly demonstrates it by implementing the "4R" strategy: Reduce, Recover, Reuse and Recycle. To learn more about these programs please visit www.lexmark.com/recycle.

Cost-saving and environmental features

- Duplex models are Energy Star compliant
- Duplex, Print and Hold (verify print), multi-up, and printing on recycled paper help reduce paper consumption.
- Selectable toner saving modes help reduce the amount of toner used on a page.
- Lexmark Cartridge Collection Program and end-of-life product recycling help reduce waste.

