



XC4153

Full-featured A4 Color Copier



Affordable
in-house
color production



Productivity
boosting speed,
functionality
and reliability



Workflow
smoothing
solutions
and flexibility



Sensitive data
stays secure



Cut costs
while being
environmentally
responsible

This is a Class A device according to international electromagnetic emissions standards (i.e. FCC Rules, EN 55022/EN 55032, etc.). Class A products are intended for use in non-residential/non-domestic environments. Use of a Class A product in residential/domestic environments may cause interference to radio communications and require corrective measures.



Lexmark™

Get more power and save money



Save time with the XC4153's integrated software and solutions. Stay productive with print and scanning speeds fast enough to keep work moving. Look professional with gorgeous color.

- ▶ Brilliant color in an affordable, space-saving device
- ▶ Up to 50 pages per minute† print speeds
- ▶ Spend less time on supplies with high-yield toner capacity and shake-free science
- ▶ Expandable universal input trays

Speed for productivity with the functionality and reliability you need

Productivity stays high when even large color print jobs complete quickly. Thanks to print speeds of up to 50 ppm.

Minimize wait time with XC4153's ability to print a single color page in as little as 5 seconds. Convenient direct printing from flash drives, network drives or online servers save you even more time.

Power through complex print jobs with large, high-resolution photos and graphics. The powerful print controller has the processing power you need built-in.

Digital workflows and paper documents won't slow you down. The XC4153 scans up to 60 ipm, combined with the powerful quad-core processor, your information is captured and made available to you and your network applications fast.

Work from wherever, print where you want with mobile printing from iOS, Android and Windows Mobile devices and optional wireless and NFC direct mobile printing from smartphones and tablets. The XC4153 is also Google Cloud Print, Apple Airprint and Mopria ready.

Better access for all with the tilting eTask panel that makes the interface viewable for users at all heights, drawers and paper guides that move effortlessly, and standard headphone jack and talk-back features to help users with limited vision engage with the device‡.

Advanced scanning technology

Connect your digital systems to your unstructured content with ease. The advanced scanning technology on the XC4153 makes it fast and hassle-free.

- ▶ Scan a stack of mixed sized originals at full speed
- ▶ Keep things fast and file sizes small with color detection that scans in mono if no color is found
- ▶ Reduce file sizes and maintain information accuracy with Mixed Raster Content (MRC) file compression
- ▶ Achieve accurate, high resolution images with Charged Coupled Device (CCD) sensors and four-piece optical glass lenses
- ▶ Don't waste time restarting a job. Page-level jam recovery picks up where the job left off

† Print and copy speeds measured in accordance with ISO/IEC 24735 respectively (ESAT). For more information see: www.lexmark.com/ISOspeeds.
‡ Meets advanced Section 508 and European Standard EN 301 549 guidelines for accessibility.





Look sharp for less with gorgeous color and professional finishing

Color so accurate and affordable, you can print color in-house.

You can match all of your brand colors and have accurate color output without having to pay a premium. Lexmark Color Replacement combines spot color replacement and RGB replacement for precision matching of critical colors. PANTONE® calibration and embedded color sample pages to help you nail perfect color at the design stage. Lexmark Color Replacement combines spot color replacement and RGB replacement for precision matching of critical colors. Lexmark's 4800 color quality is ultra-sharp even at full speed.

Less hands on hassle with a high input capacity with up to 2,300 sheets of input capacity, paper is less likely to run out, so you don't have to wait or intervene to finish printing.

Improve your productivity with the XC4153 that keeps on running

- ▶ Toner cartridges yield up to 21,000 pages
- ▶ Photoconductor, developer, and fuser last up to 150,000 pages
- ▶ No shake Unison™ Toner cartridges mean perfect prints to the last page without interruption



Workflow smoothing solutions

Bridge the gap between your paper documents and software systems with the fully-configurable device-based apps. The built in productivity solutions future-proof your investment.

Standard device-based apps shipping with this series include¹:



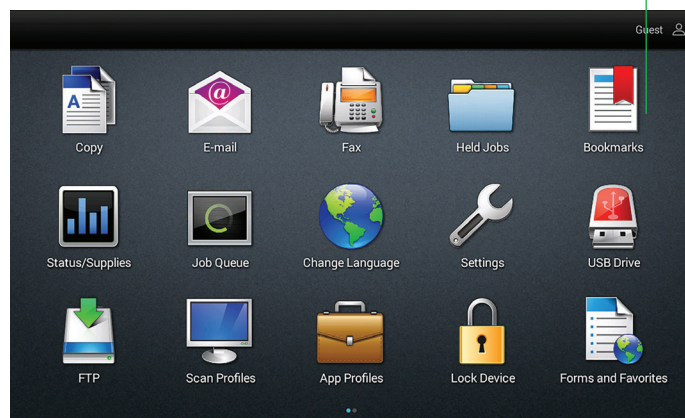
AccuRead OCR

In less time than it takes to enter data manually, your organization can create searchable files or editable content using the included AccuRead OCR. Other vendors charge extra for this critical capability.



Scan Center

One app to send your scanned documents to multiple destinations simultaneously with optional delivery confirmations.



Forms and Favorites

Keep frequently used forms and documents easy to access and save money by eliminating preprinted forms.



Card Copy

Capture both sides of ID/credit cards, print on one side of paper and save to a network folder.



Address Book

Manage the device's internally stored user data, contacts and scan destinations from the e-Task touch screen or the embedded web server.

See the possibilities with our intuitive interface

Minimize the need for training with the familiar modern tablet-like capabilities of our eTask interface on a bright 7-inch class color touch screen. Use swipe and touch gestures to navigate the intuitive interface to access convenient features, including:

- ▶ Preview your entire print job
- ▶ Print Microsoft Office and other file types from USB or mobile devices
- ▶ Customizable shortcuts and bookmarks
- ▶ Realize your return on investment with true integration
- ▶ Access corporate address book for quick document routing
- ▶ Enable user tracking, accounting and permissions for cost and print management

¹ Additional device-based apps may ship with the device and additional apps can be added.



XC4153



1. Intuitive color touch screen with new eTask interface A bright 7-inch screen uses familiar swipe and touch gestures, minimizing training time to get users up to speed.



2. Direct printing Microsoft Office files and other document and image types print right from flash drives. You can even preview jobs on the eTask screen prior to printing.



3. Unison™ Toner system with long-life supplies Unison™ Toner delivers consistently outstanding image quality plus long-life system reliability and amazing sustainability in a high-yield, no-shake design.



4. Software solutions Combine device based capabilities with additionally purchased Lexmark fleet management tools and your existing software and technical infrastructure to form the Lexmark smart MFP ecosystem. Its adaptability future-proofs your investment in Lexmark color laser technology.



5. Expandable input Print on multiple paper types and boost input capacity to 2,300 sheets

Sensitive data stays secure

Authorize and authenticate who and what gets access to your network along with remote monitoring and management.

Protect your device on all fronts with port and connection filtering to limit active access and encryption and wiping of the optional hard disk to secure sensitive print job data. Digital signatures on firmware updates keep hackers at bay.

Authentication to fit your protocols from badge readers, PIN or passwords. Once users are authenticated the connect to your network is fully secure. If user authentication fails the eTask panel shuts down to protect your device settings.

Put a stop to data leaks on the optional hard disk with 256-bit AES encryption and encryption keys stored in the MFP's memory, not the hard disk. Data is almost impossible to read if the hard drive is removed.

Cut costs while being environmentally responsible

Save power with multiple power saving modes. Sleep mode uses less than 3 watts between jobs. Hibernate mode uses less than half a watt during scheduled on/off periods.

Save paper and toner with no hassles. Standard double-sided printing, printing images a lighter shade with the ColorSaver feature that still leaves text dark and readable and Lexmark's Eco Copy solution are just some of the eco-friendly options.

Smarter toner saves energy and more. Lexmark Unison™ Toner fuses at a lower temperature that requires less energy. Through the free and easy Lexmark Cartridge Collection Program (LCCP), ship empty cartridges back to our recycling centers for sustainable recycling.



Lexmark Sustainability

For Lexmark, commitment to the environment isn't a marketing tagline, it's a core value backed up by real action and results. We are forward thinking, innovative, and driven to sustain a healthy planet for generations to come. For our customers and partners we bring this passion, our leading technology and a deep understanding of industry-specific business processes to continuously improve their efficiency as well as our own.

Lexmark products meet globally recognized environmental standards**.

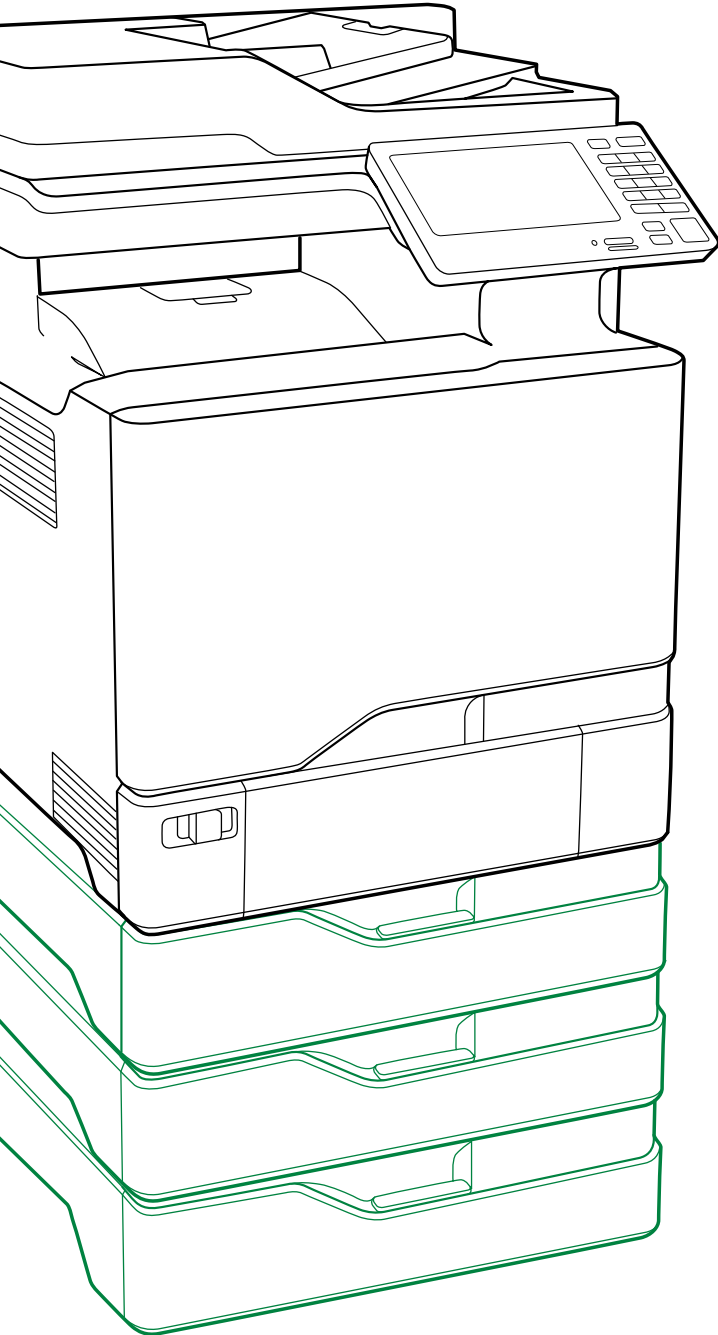
- ▶ ENERGY STAR®
- ▶ Blue Angel
- ▶ EPEAT®

For more information on Lexmark's sustainability initiatives, visit csr.lexmark.com

** ENERGY STAR for Imaging Equipment (EU RoHS and Section 4.3.1.1 of IEEE 1680.2-2)



Ordering information



P/N
40C9650

Model
XC4153

P/N
24B6720
24B6717
24B6718
24B6719
74C0ZK0
74C0ZV0
74COW00

Laser Toner/Print Cartridge
Black Toner Cartridge
Cyan Toner Cartridge
Magenta Toner Cartridge
Yellow Toner Cartridge
Black Return Program Imaging Unit
Color (CMY) Return Program Imaging Kit
Waste Toner Bottle

P/N
40C2100

Paper Handling
550-Sheet Tray

P/N
40C2300

Furniture
Adjustable Stand

P/N
57X9020
57X9801
57X9814
57X9815
57X9812
57X9810

Memory Options
2GB x32 DDR3 RAM
256MB Flash Memory Card
Korean Font Card
Japanese Font Card
S. Chinese Font Card
T. Chinese Font Card

P/N
40C9201
40C9200
40C9202
57X0300
57X0301

Application Solutions
Card for IPDS
Forms and Bar Code Card
Card for PRESCRIBE
Front Contact Authentication Module
Front Contactless Authentication Module

P/N
1021294
27X0823
SPD0001
57X7025

Connectivity
2-meter USB cable (RoHS)
MarkNet N8370 Wireless
Surge Protective Device, 110-120V
Voice Guidance Kit

P/N
41X0917
41X0956
41X0554
41X0252
41X0374

User Replaceable Parts
ADF Separator Roll
Pick Roller
Fuser Maintenance Kit 110-120V
Fuser 110-120V
Separator Bracket Assembly

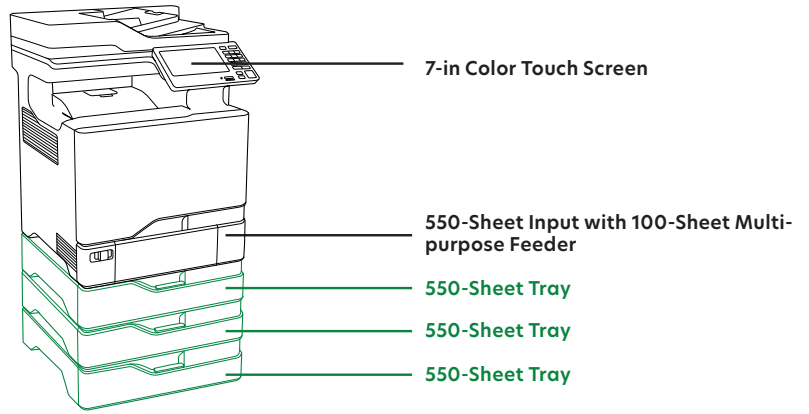
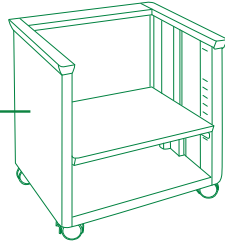
P/N
40X8736
40X9929

Service Parts
ADF pick roll
Image Transfer Unit

Lexmark XC4153

Adjustable
Printer Stand

Standard
Optional



Product specifications	Lexmark XC4153
Printing	
Display	Lexmark e-Task 7-inch (17.8 cm) color touch screen
Print Speed: Up to ⁶	Black: 50 ppm / Color: 50 ppm
Time to First Page: As fast as	Black: 5.0 seconds / Color: 5.5 seconds
Print Resolution	Black: 1200 x 1200 dpi, 4800 Color Quality (2400 x 600 dpi) / Color: 1200 x 1200 dpi, 4800 Color Quality (2400 x 600 dpi)
Memory	Standard: 2048 MB / Maximum: 4096 MB
Hard Disk	Included in configuration
Recommended Monthly Page Volume ²	2000 - 20000 pages
Maximum Monthly Duty Cycle: Up to ³	150000 pages per month
Copying	
Copy Speed: Up to ⁶	Black: 50 cpm / Color: 50 cpm
Time to First Copy: As fast as	Black: 6.5 seconds / Color: 7.0 seconds
Scanning	
Scanner Type / ADF Scan	Flatbed scanner with ADF / RADF (Reversing Duplex)
A4/Ltr Duplex Scan Speed: Up to	Black: 26 / 28 sides per minute / Color: 26 / 28 sides per minute
A4/Ltr Simplex Scan Speed: Up to	Black: 56 / 60 sides per minute / Color: 56 / 60 sides per minute
ADF Paper Input Capacity: Up to	50 pages 20 lb or 75 gsm bond
Faxing	
Modem Speed	ITU T.30, V.34 Half-Duplex, 33.6 Kbps
Supplies⁷	
Laser Cartridge Yields (up to) ¹	20,000-page Black High Yield Cartridge, 13,000-page Color (CMY) High Yield Cartridges
Imaging Unit Estimated Yield: Up to	150000 pages, based on 3 average letter/A4-size pages per print job and ~ 5% coverage
Cartridge(s) Shipping with Product ⁸	7,000-page Black and Color (CMYK) Return Program Toner Cartridges
Paper Handling	
Included Paper Handling	550-Sheet Input, 100-Sheet Multipurpose Feeder, Integrated Duplex, 300-Sheet Output Bin
Optional Paper Handling	550-Sheet Tray
Paper Input Capacity: Up to	Standard: 650 pages 20 lb or 75 gsm bond / Maximum: 2300 pages 20 lb or 75 gsm bond
Paper Output Capacity: Up to	Standard: 300 pages 20 lb or 75 gsm bond / Maximum: 300 pages 20 lb or 75 gsm bond
Media Types Supported	Card Stock, Envelopes, Paper Labels, Plain Paper, Vinyl Labels, Banner Paper, Refer to the Paper & Specialty Media Guide
Media Sizes Supported	10 Envelope, 7 3/4 Envelope, 9 Envelope, A4, A5, B5 Envelope, C5 Envelope, DL Envelope, Executive, Folio, JIS-B5, Legal, Letter, Statement, Universal, Oficio, A6
General Information⁴	
Standard Ports	One Internal Card Slot, USB 2.0 Specification Hi-Speed Certified (Type B), Gigabit Ethernet (10/100/1000), Front USB 2.0 Specification Hi-Speed Certified port (Type A), Rear Hi-Speed USB Port Compatible with USB 2.0 Specification (Type A)
Optional Network Ports	Internal MarkNet N8360 802.11b/g/n Wireless, NFC
Noise Level: Operating	Print: 53 dBA / Copy: 56 dBA / Scan: 53 dBA
Specified Operating Environment	Humidity: 8 to 80% Relative Humidity, Temperature: 10 to 32°C (50 to 90°F), Altitude: 0 - 2896 Meters (9,500 Feet)
Size (in. - H x W x D) / Weight (lb.)	25.5 x 19.9 x 21 in. / 99 lb.

This is a Class A device according to international electromagnetic emissions standards (i.e. FCC Rules, EN 55022/EN 55032, etc.). Class A products are intended for use in non-residential/non-domestic environments. Use of a Class A product in residential/domestic environments may cause interference to radio communications and require corrective measures.

¹Average yield at approximately 5% print coverage per colour. ²Recommended Monthly Page Volume" is a range of pages that helps customers evaluate Lexmark's product offerings based on the average number of pages customers plan to print on the device each month. Lexmark recommends that the number of pages per month be within the stated range for optimum device performance, based on factors including: supplies replacement intervals, paper loading intervals, speed, and typical customer usage. ³Maximum Monthly Duty Cycle" is defined as the maximum number of pages a device could deliver in a month using a multishift operation. This metric provides a comparison of robustness in relation to other Lexmark printers and MFPs. ⁴Printers are sold subject to certain license/agreement conditions. See www.lexmark.com/printerlicense for details. ⁵Actual Yield may vary based on other factors such as device speed, paper size and feed orientation, toner coverage, tray source, percentage of black-only printing and average print job complexity. ⁶Print and copy speeds measured in accordance with ISO/IEC 24734 and ISO/IEC 24735 respectively (ESAT). For more information see: www.lexmark.com/ISOspeeds. ⁷Product functions only with replacement cartridges designed for use in a specific geographical region. See www.lexmark.com/regions for more details. ⁸ Average continuous black or continuous composite CMY declared cartridge yield up to this number of standard pages in accordance with ISO/IEC 19798.

© 2020 Lexmark. All rights reserved. Lexmark, the Lexmark logo and Unison are trademarks of Lexmark International, Inc., registered in the United States and/or other countries.

Apple and AirPrint are trademarks of Apple Inc., registered in the U.S. and other countries. Google Cloud Print is a trademark of Google, LLC. Mopria®, the Mopria® Logo, and the Mopria Alliance™ word mark and logo are registered and/or unregistered trademarks and service marks of Mopria Alliance, Inc. in the United States and other countries. Unauthenticated use is strictly prohibited. ENERGY STAR and the ENERGY STAR mark are registered trademarks owned by the U.S. Environmental Protection Agency. EPEAT® is a trademark of the Green Electronics Council in the United States and other countries. All other trademarks are the property of their respective owners.

This product includes software developed by the OpenSSL Project for use in the Open SSL Toolkit (<http://www.openssl.org/>).



partnetwork.lexmark.com

