

## Creasing for a Better Fold

In today's print world, on-demand digital printing has become the standard for fast turn-around and short run jobs. Finishing the piece properly for a professional, high-quality look is a key part of the process. When it comes to folding digitally printed pieces, creasing is essential to avoid cracking and tearing on the folded edges.

The Formax Atlas line offers three solutions for producing the best quality presentation: the Atlas C100 and Atlas C200 Automatic High-Speed Creasers and the Atlas C300 Automatic Creaser/Folder.

Notice my creased fold



Uncreased folded digital prints (left) are cracked and give the appearance of poor quality. Creased prints (right) have no cracking and look polished and professional.

## Creasing vs. Scoring

Traditional scoring machines use circular blades which are in constant motion as the printed piece passes through. This action cuts through the top fibers of the paper, and can result in cracking of the printed edge.

In contrast, Formax Atlas Creasers employ a unique heavy-duty creasing matrix which compresses and embosses the paper fibers instead of cutting them, virtually eliminating tearing and cracking on the folded edge.

### Atlas C100 Specifications

Speed:	Up to 8,500 sheets per hour * (8.5" x 11") Up to 11,000 sheets per hour * (6.5" x 8.5")
Sheet Size:	Max: 27.5" x 12.9" Min: 8.2" x 5.5"
Paper Thickness:	Max: 0.015" (approx. 400gsm) Min: 0.004" (approx. 75gsm)
Creases per Sheet:	Up to 16
Minimum Repeat Crease Distance:	0.03" (depending on paper weight)
Minimum Crease Distance from Leading Edge:	0.09"
Minimum Crease Distance from Trailing Edge:	1.37"
Programmable Jobs:	Unlimited
Dimensions:	57" L x 20.5" W x 48" H
Weight:	267 lb
Power:	220V, 60hz, 15A, NEMA 6-15P

### Atlas C200 Specifications

Speed:	Up to 8,500 sheets per hour * (8.5" x 11") Up to 11,000 sheets per hour * (6.5" x 8.5")
Sheet Size:	Max: 27.5" x 19.6" (35.4" x 19.6" w/optional extension table) Min: 8.2" x 5.5"
Paper Thickness:	Max: 0.015" (approx. 400gsm) Min: 0.004" (approx. 75gsm)
Creases per Sheet:	Up to 16
Minimum Repeat Crease Distance:	0.03" (depending on paper weight)
Minimum Crease Distance from Leading Edge:	0.09"
Minimum Crease Distance from Trailing Edge:	1.37"
Programmable Jobs:	Unlimited
Dimensions:	59" L x 26.8" W x 48" H
Weight:	344 lb
Power:	220V, 60hz, 15A, NEMA 6-15P

### Atlas C300 Specifications

Speed:	Up to 6,000 sheets per hour * (8.5" x 11.5")
Sheet Size:	Max: 27.5" x 15.1" (35.4" x 15.1" w/optional extension table) Min: 8.2" x 5.5"
Paper Thickness:	Max: 0.015" (approx. 400gsm) Min: 0.004" (approx. 75gsm)
Folds per Sheet:	Up to 2
Minimum Repeat Crease Distance:	1.57" (depending on paper weight)
Minimum Repeat Fold Distance:	2.75" (depending on paper weight)
Minimum Crease Distance from Leading Edge:	1.96"
Minimum Fold Distance from Leading Edge:	1.96"
Minimum Crease Distance from Trailing Edge:	1.96"
Minimum Fold Distance from Trailing Edge:	1.96"
Minimum Fold Length:	2.75"
Programmable Jobs:	Unlimited
Dimensions:	79.5" L x 26.7" W x 49.8" H
Weight:	419 lb
Power:	220V, 60hz, 15A, NEMA 6-15P

\* Production speed varies based on material size and the number of creases per sheet



Crease • Fold • Perforate



## High-Speed Automatic Creasers

**Atlas Auto-Feeding Creasers** are fully-automatic, user-friendly solutions to solve the problem of cracking in toner-based digital prints. Using the **graphics-based 7" touchscreen control panel**, operators can easily set-up and save jobs in just minutes or utilize one of the pre-programmed settings. The C100 and C200 automatically calculate the crease positions based on paper size and set them accordingly. The powerful **bottom-suction air-feed system** allows for continuous loading of sheets, which increases productivity while maintaining accuracy, even with heavier stocks. **Perforating** capabilities are also standard, with a wide range of wheels to suit many different applications.



### atlas c100

#### Key Features

- Color touchscreen control panel
- Fully automatic setup
- Creases up to 8,500 sheets per hour
- Up to 16 creases per sheet
- Accommodates sheets up to 27.5" x 12.9"
- Unlimited programmable jobs
- Includes a single perforating kit
- Options: slitting and perforating wheels, narrow creasing matrix
- Lifetime guaranteed creaser matrix



### atlas c200

#### Key Features

- Color touchscreen control panel
- Fully automatic setup
- Creases up to 8,500 sheets per hour
- Up to 16 creases per sheet
- Accommodates sheets up to 27.5" x 19.6"
- Unlimited programmable jobs
- Includes a single perforating kit
- Options: extension tray, slitting and perforating wheels, narrow creasing matrix
- Lifetime guaranteed creaser matrix

## High-Speed Automatic Creaser/Folder

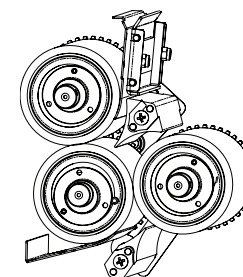
### atlas c300



The **Atlas C300 Automatic Creaser/Folder** produces high-speed creasing and folding in a single pass. Sheets pass through the **dynamic creasing matrix** and the patented **"floating knife" folding mechanism**, which minimize marking of the digital printout. Speed is maintained, regardless of the number of creases: up to 9 sheets with 9 creases each can be produced in less than 9 seconds. Includes the **same powerful, rugged features as the C100 and C200**, and can be used as a stand-alone creaser, or as a perforator when creasing and folding are not required.

#### Key Features

- Color touchscreen control panel
- Fully automatic setup
- Processes up to 6,000 sheets per hour
- Handles sheets up to 27.5" x 15.1"
- Contoured floating knives prevent marking of digital prints
- Pre-programmed for common creases/folds
- Unlimited programmable custom jobs
- Includes digital thickness gauge for accurate measurements
- Moving sheet deflector eliminates scratches during folding
- Can be used as a stand-alone creaser or perforator
- Includes a single perforating kit
- Options: extension tray, slitting & perforating wheels, ultra narrow creasing matrix, stacker tray
- Lifetime guaranteed creaser matrix



*Floating knife folding technology prevents marks and scratches*

#### 7" Color Touchscreen:

The Atlas Creasers feature a full-color graphics-based touchscreen control panel which allows for quick and easy setup and programming. Simply enter the sheet size and number of creases and the crease positions are set automatically. Users can program and save an unlimited number of jobs using alpha-numeric naming for easy retrieval.



#### Reliable Bottom-Feed System:

All three Atlas Creasers feature a powerful bottom-suction air-feed system which allows for continuous loading of documents. The feed drum pauses as the vacuum pulls down the sheet to ensure accurate feeding. This permits a greater number of sheets to be loaded at once, including heavier stocks. The feed gap is easily set by turning the gate disk left or right to accommodate the paper thickness.

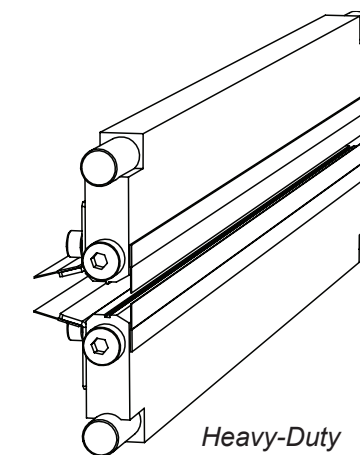


#### Rugged, Accurate Creasing Matrix:

Guaranteed for life, the heavy-duty creasing matrix uses a channel and anvil to create the crease. This embosses the printed sheet and eliminates cracking of the folded edge, providing a clean, professional piece.

The creasing angle and pressure can be adjusted to accommodate different paper weights to provide the most accurate crease possible.

Standard, Narrow, and Ultra Narrow crease matrices are available for the different creaser models. (Standard Matrix included with the C100, C200, & C300, Narrow Matrix optional for C100 & C200, included with C300, Ultra Narrow Matrix optional for C300 only)



*Heavy-Duty Creasing Matrix*

